

Automatic air powered riveter specially designed to perform common riveting tasks in modern bodyshops including self-piercing rivets and standard flow form rivets.

ACCURATE SETTINGS

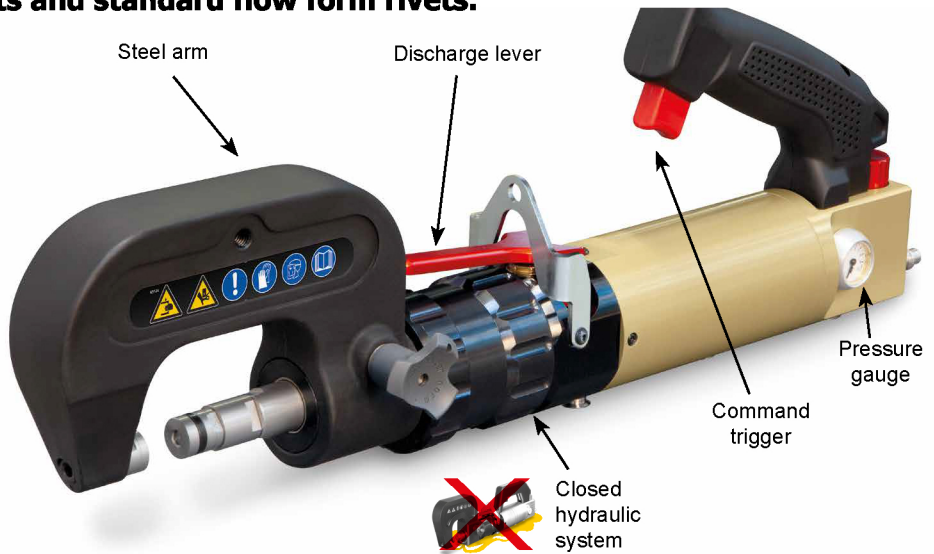
The user can manually adjust the **actuator speed** as well as **rivet pressure** according to the metal used in order to avoid panel distortion.



Speed control



Pressure control
0 > 6.5 bar



ERGONOMIC AND EFFICIENT

- Maximum pressure of **10 tonnes** with integrated pressure gauge. **Fast and easy** arm change.
- C-arm **swivels 360°** around the riveting machine axle.
- Selection of arms available for **difficult access situations**.
- Easy to use **ergonomic handle and trigger**.
- Magnetic die** makes rivet positioning easy.

Delivered with :

- 2 die keys
- 1 strap
- 1 arm HR110
- 1 handle for arm
- 1 box of rivets



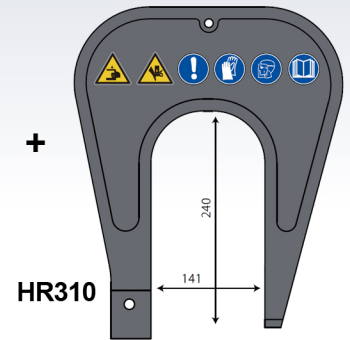
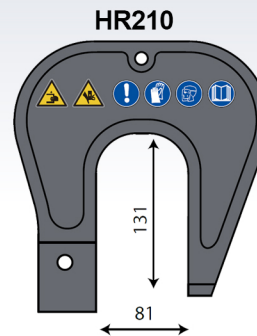
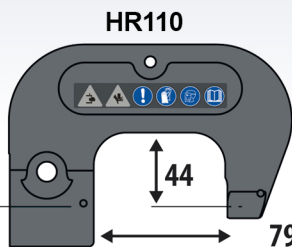
1 standard die kit for extraction and rivet positioning

+ Centre punch :

- self-piercing (\varnothing 3.3 et 5.3 mm)
- flow-form (\varnothing 5.6 mm)



KIT INCLUDES



39.5 x 180 cm



58 x 48 x 15 cm



11.8 kg



4 kg

HR110



3 kg

HR210



5.4 kg



HR310

12 kg

Cycle time

4 sec

AIR BAR

normal 6.5
maxi 10